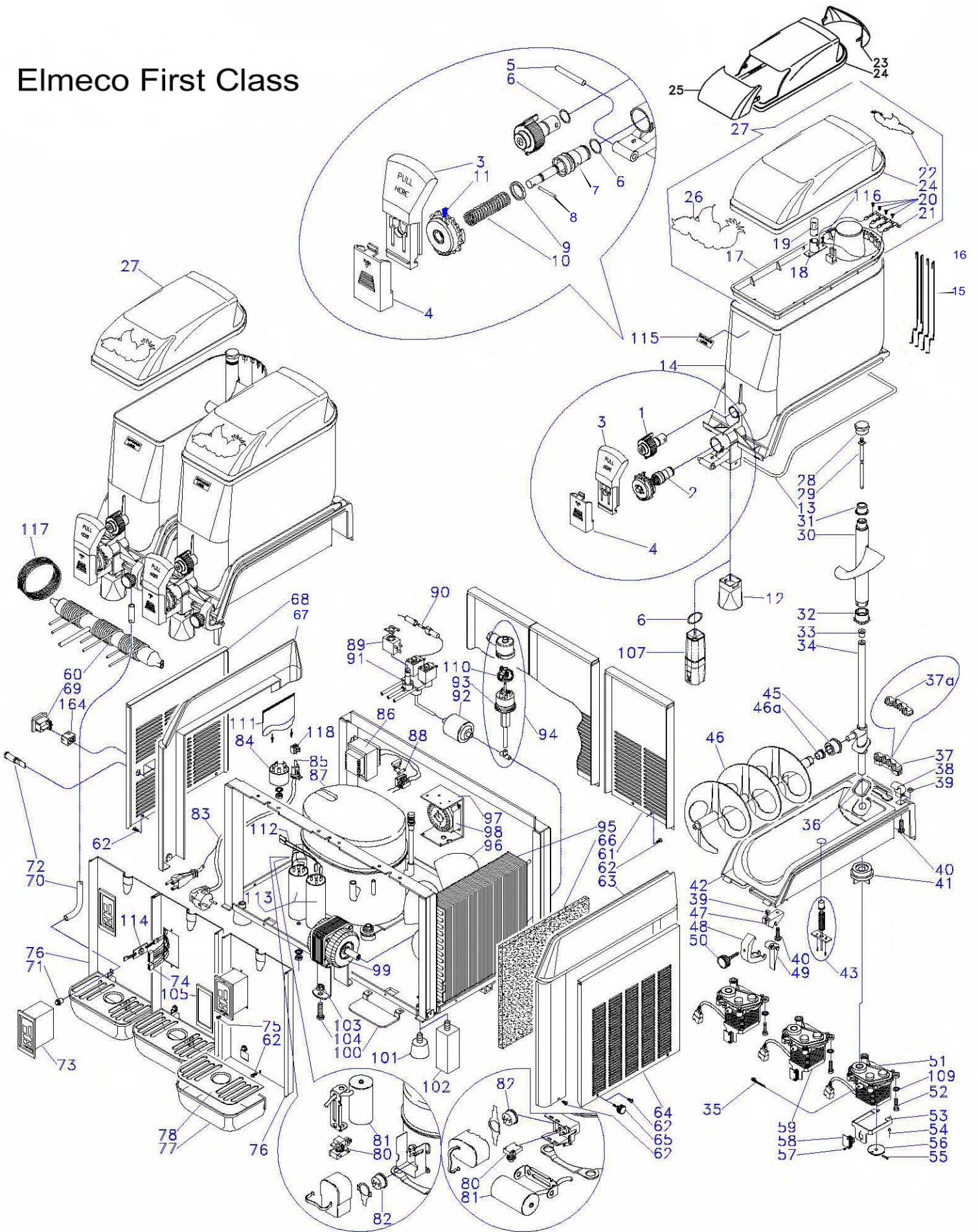
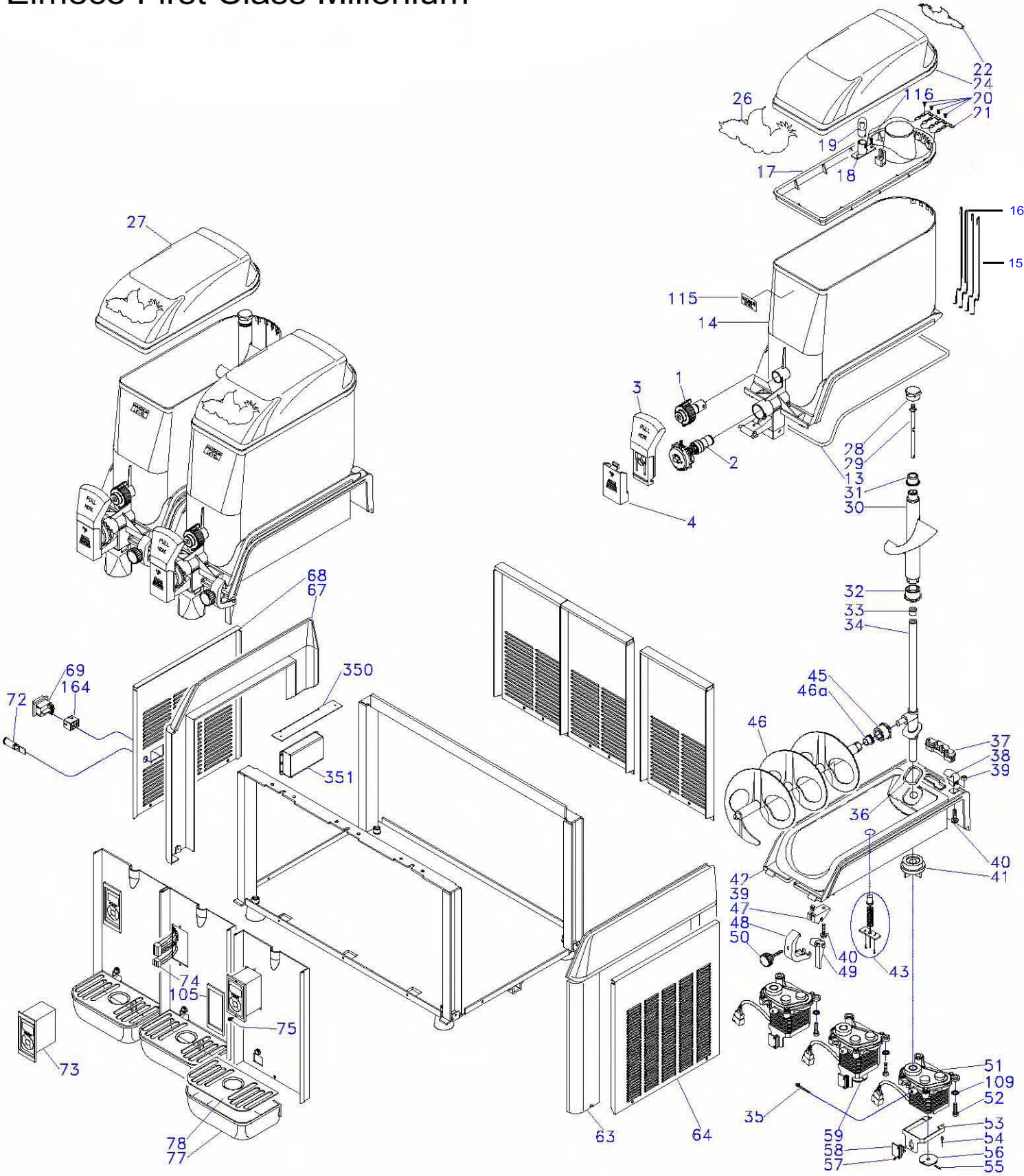


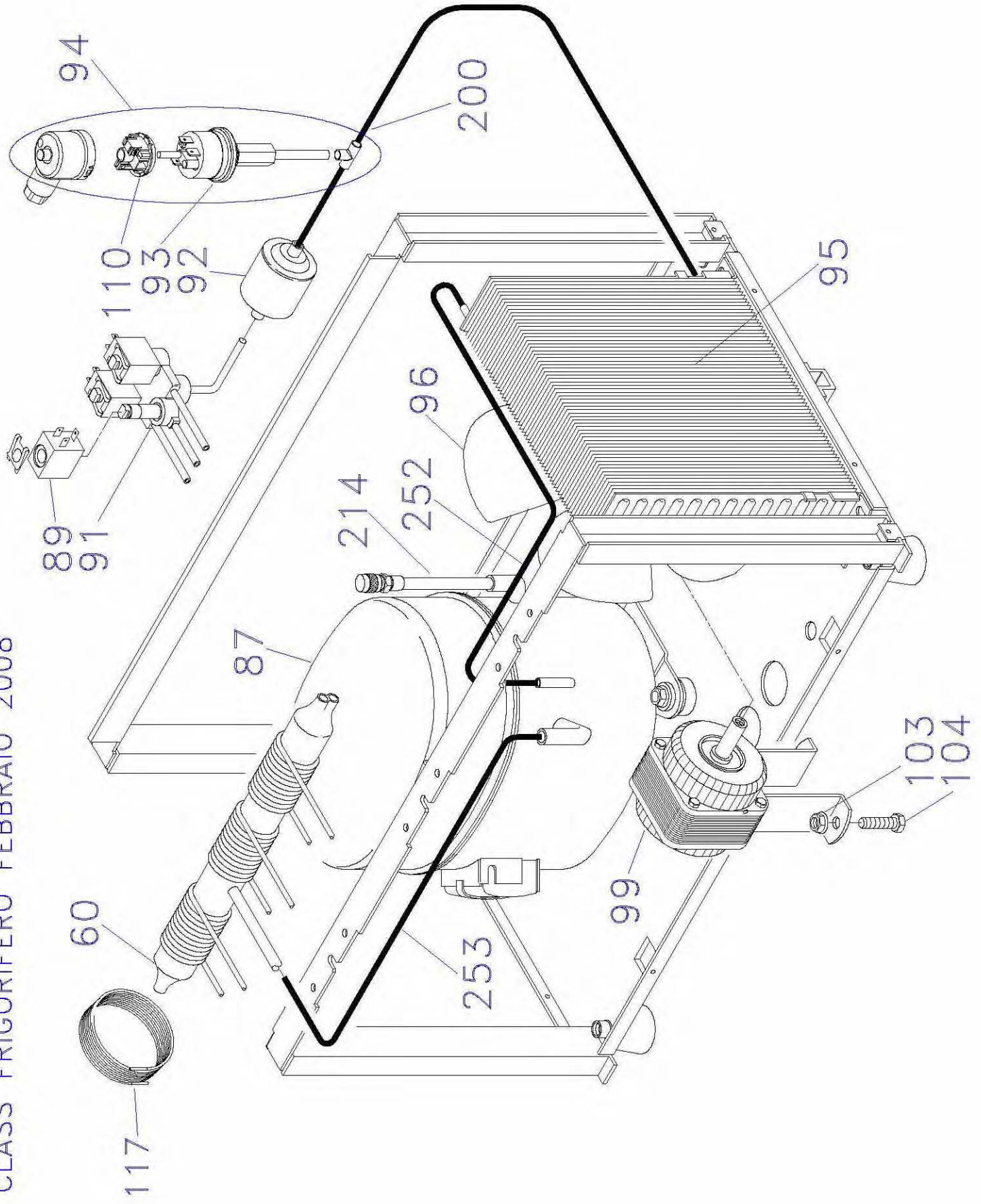
Elmeco First Class



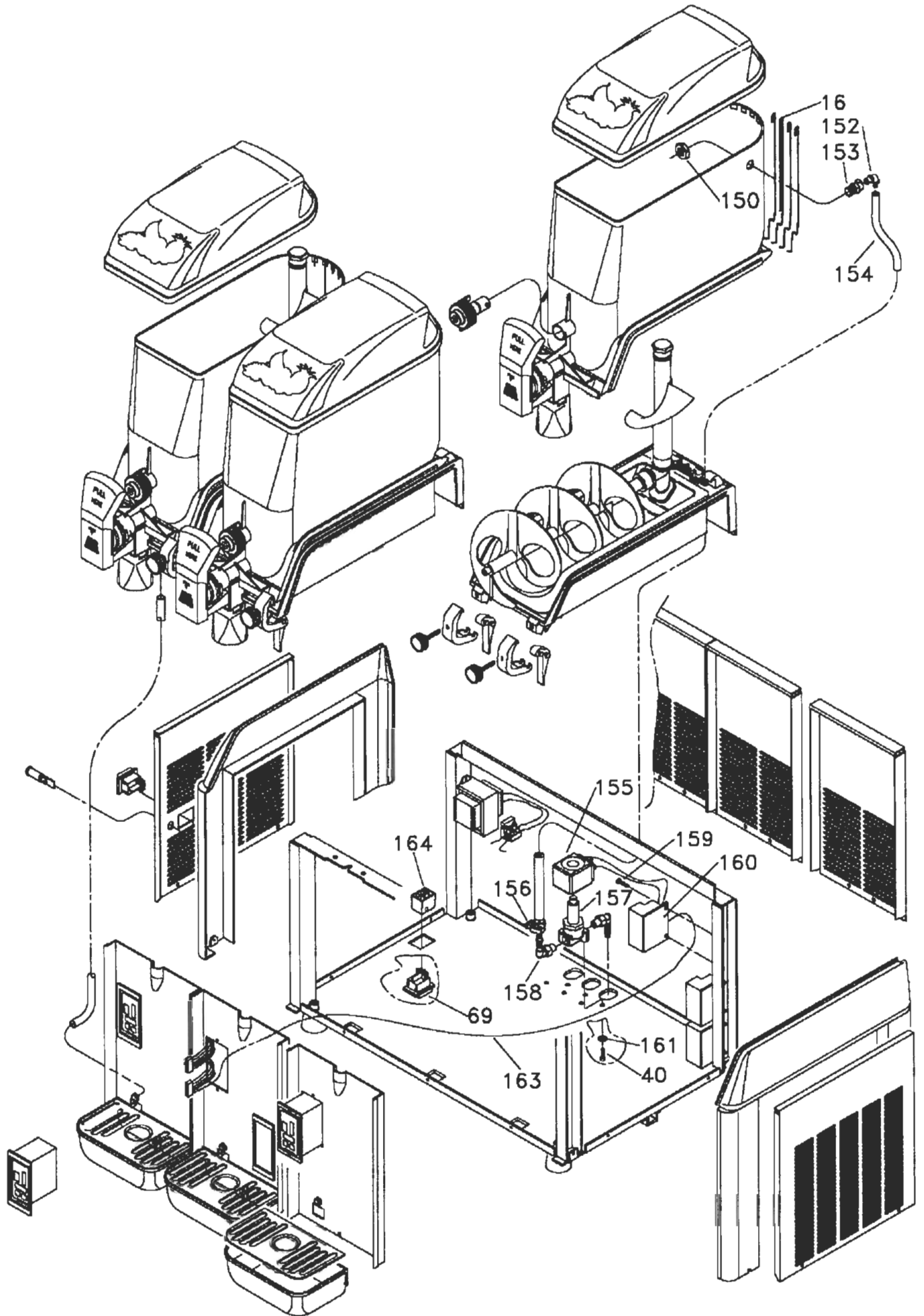
Elmeco First Class Millenium



FIRST CLASS FRIGORIFERO FEBBRAIO 2008



FIRST CLASS REFILL FEBBRAIO 2006



2012 Elmeco First Class Parts Price List

Part #	DESCRIPTION	MFG. #						Retail
			FC1	FC2	FC3	115/60		
1	RING NUT HORIZONTAL AUGER	M0004109-001	ALL	*	*	*	*	\$47.22
2	RING NUT LEVER COVER PISTON	M0003126-001	ALL	*	*	*	*	\$62.98
3b	GRAY HANDLE	M0003104-002	ALL	*	*	*	*	\$47.22
3c	BLACK HANDLE	M0003104-003	ALL	*	*	*	*	\$47.22
3d	BLACK HANDLE "PULL HERE"	M0003125-001	ALL	*	*	*	*	\$52.12
4b	GRAY LID HANDLE COVER	M0003108-002	ALL	*	*	*	*	\$18.91
4c	BLACK LID HANDLE COVER	M0003108-003	ALL	*	*	*	*	\$18.91
4d	BLACK LID HANDLE COVER WITH HOLE	M0003135-003	ALL	*	*	*	*	\$29.92
5	PIN DRAIN LEVER	M0003124-001	ALL	*	*	*	*	\$6.32
6	O-RING 117	OR13000117	ALL	*	*	*	*	\$1.50
7	ROD UNIT	M0003121-001	ALL	*	*	*	*	\$17.80
8	DOWEL f 3X28MM	PERNO3X28ACCIAI	ALL	*	*	*	*	\$4.12
9	OUTLET BACK GASKET	M0003117-001	ALL	*	*	*	*	\$3.43
10	PISTON SPRING	M0003106-001	ALL	*	*	*	*	\$7.87
11	RING NUT-LEVER-COVER	M0003120-001	ALL	*	*	*	*	\$19.16
12	DISPENSING SPOUT CUP VERSION	M0006134-002	ALL	*	*	*	*	\$16.11
13	GASKET TRANSPARENT TANK	M0000106-001	ALL	*	*	*	*	\$14.37
14	TRANSPARENT TANK COMPLETE OF PIN DRAIN LEVER	M0000147-001	ALL	*	*	*	*	\$150.00
15	LOW VOLTAGE CONTACT WIRES	M0005111-001	ALL	*	*	*	*	\$9.40
16	PROBE LEVEL CONTACT	M0005128-001	ALL	*	*	*	*	\$10.73
17	LAMP GLASS	M0006108-001	ALL	*	*	*	*	\$62.96
18	LAMP SOCKET	M0005133-001	ALL	*	*	*	*	\$14.65
19	LAMP 10Watt/12Vac	LAMPADA10W	ALL	*	*	*	*	\$4.50
20	SCREW TC 2.9X9.5	VTTC2.9X9.5CR	ALL	*	*	*	*	\$0.82
21	12V CONTACT FOR TANK	M0005109-001	ALL	*	*	*	*	\$6.84
22	PLASTIC LENS STICKER	M0006129-001	ALL	*	*	*	*	\$17.31
23	BACK TOP LIGHT DISPLAY (Old Style)	M0006121-001	ALL	*	*	*	*	\$30.87
24a	Green Top Light (Old Style)	M0006105-001	ALL	*	*	*	*	\$92.58
24b	Gray Top Light (Old Style)	M0006105-003	ALL	*	*	*	*	\$92.58
24c	Black Top Light (Old Style)	M0006105-004	ALL	*	*	*	*	\$92.58
24d	BLACK LID (New Style)	M0006193-004	ALL	*	*	*	*	\$148.51
25	FRONT TOP LIGHT DISPLAY (Old Style)	M0006120-001	ALL	*	*	*	*	\$30.87
26	PLASTIC LENS STICKER	M0006129-001	ALL	*	*	*	*	\$17.31
27a	GREEN TOP LIGHT COVER COMPLETE (Old Style)	M0006125-001	ALL	*	*	*	*	\$152.76
27b	GRAY TOP LIGHT COVER COMPLETE (Old Style)	M0006125-003	ALL	*	*	*	*	\$152.76
27c	BLACK TOP LIGHT COVER COMPLETE (New Style)	M0006125-005	ALL	*	*	*	*	\$152.76
28	RING NUT VERTICAL PROPELLER	M0000107-001	ALL	*	*	*	*	\$15.74
29	TRANSMISSION SHAFT WITH NUT	M0000108-001	ALL	*	*	*	*	\$38.32
30	VERTICAL AUGER COMPLETE OF BUSHING	M0004111-001	ALL	*	*	*	*	\$55.00

2012 Elmeco First Class Parts Price List

31	VERTICAL AUGER BUSHING	B06.032INOX	ALL	*	*	*	*	\$6.15
32	PINION VERTICAL AUGER	M0004104-001	ALL	*	*	*	*	\$15.00
33	BUSHING TRANSMISSION SHAFT	M0000104-001	ALL	*	*	*	*	\$4.72
34	TRANSMISSION SHAFT WITH SLEEVE	M0000140-001	ALL	*	*	*	*	\$114.22
35	COTTER PIN	M0000117-001	ALL	*	*	*	*	\$3.15
36	TRANSMISSION SHAFT GASKET	M0000114-001	ALL	*	*	*	*	\$7.87
37	BLACK TERMINAL BOARD COMPLETE	M0005117-004	ALL	*	*	*	*	\$31.48
37a	BLACK COVER TERMINAL BOARD	M0000113-004	ALL	*	*	*	*	\$2.74
38	BLACK REAR HINGE	M0006103-003	ALL	*	*	*	*	\$9.58
39	M5 SQUARE NUT	M0000120-001	ALL	*	*	*	*	\$2.53
40	SCREW TE 5X12MM	M0001101-001	ALL	*	*	*	*	\$1.64
41	RING NUT SHAFT FASTENING	M0000105-001	ALL	*	*	*	*	\$4.72
42	BLACK COMPLETE INOX TANK	M0002112-004	ALL	*	*	*	*	\$550.90
43	ELECTRONIC THERMOSTAT PROBE COMPLETE	M0000157-001	ALL	*	*	*	*	\$29.41
45	HORIZONTAL AUGER GEAR	M0004105-001	ALL	*	*	*	*	\$15.00
46	HORIZONTAL AUGER COMPLETE OF BUSHING	M0004110-001	ALL	*	*	*	*	\$251.84
46a	HORIZONTAL AUGER BUSHING	M0004102-001	ALL	*	*	*	*	\$4.11
47	BLACK BASE	M0006116-003	ALL	*	*	*	*	\$9.58
48	BLACK HINGE HOOK	M0006102-003	ALL	*	*	*	*	\$13.69
49	BLACK FRONT HINGE	M0006115-003	ALL	*	*	*	*	\$13.69
50	LOCKING BOLT	M0006119-001	ALL	*	*	*	*	\$14.17
51	GEAR MOTOR	M0005104-001	ALL	*	*	*	*	\$342.17
52	SCREW 6X12	M0000122-001	ALL	*	*	*	*	\$0.68
53	OPTICAL SUPPORT	M0005119-001	ALL	*	*	*	*	\$24.64
54	RIVET 4X10	RIV4X7ALL	ALL	*	*	*	*	\$0.82
55	GRANI 3X5	GRANI3X5	ALL	*	*	*	*	\$1.64
56	OPTICAL READER DISK	A0005101-001	ALL	*	*	*	*	\$43.80
57	SCREW 2,9X16	VTTC2.9X13CR	ALL	*	*	*	*	\$0.82
58	OPTICAL READER	EOSW-9603	ALL	*	*	*	*	\$47.22
59a	COMPLETE GEAR MOTOR WITH OPTICAL READER	M0005118-001	ALL	*	*	*	*	\$442.20
59b	COMPLETE GEAR MOTOR WITH HALL SENSOR	M0005139-001	ALL	*	*	*	*	\$442.20
60a	FC1 ACCUMULATOR OLD CONFIGURATION	BOYLERBMCAP	ALL	*			*	\$110.86
60b	FC2 ACCUMULATOR (3MTX1.06MM)	BOYLERM2CAP	ALL		*		*	\$157.40
60c	FC3 ACCUMULATOR (5MTX1.06MM)	BOYLERM3CAP	ALL			*	*	\$205.30
61a	BACK STAINLESS STEEL PANEL WITH LOUVERS FC1 OLD CONFIGURATION	M0006112-001	ALL	*			*	\$93.07
61b	BACK STAINLESS STEEL PANEL WITH HOLES - FC1 NEW CONFIGURATION	M0106108-001	ALL	*			*	\$53.42
61c	BACK STAINLESS STEEL PANEL WITH LOUVERS	M0006112-001	ALL		*	*	*	\$93.07
62	SCREW 3.9X9.5	M0006124-001	ALL	*	*	*	*	\$0.68
63a	PLASTIC PANEL RIGHT SIDE GREEN	M0006106-001	ALL	*	*	*	*	\$62.59
63b	PLASTIC PANEL RIGHT SIDE GREY	M0006106-005	ALL	*	*	*	*	\$62.59
63c	PLASTIC PANEL RIGHT SIDE BLACK	M0006106-007	ALL	*	*	*	*	\$62.59

2012 Elmeco First Class Parts Price List

64a	RIGHT SIDE STAINLESS STEEL PANEL WITH LOUVERS	M0006113-001	ALL	A & W	W	W	*	\$94.44
64b	RIGHT SIDE STAINLESS STEEL PANEL (CONDENSER SIDE)	M0006126-001	ALL		*	*	*	\$94.44
65	KNOB SIDE PANEL	A0006102-001	ALL		*	*	*	\$3.15
66	AIR FILTER	A0002103-001	ALL		*	*	*	\$24.64
67a	PLASTIC PANEL LEFT SIDE GREEN	M0006106-002	ALL	*	*	*	*	\$62.59
67b	PLASTIC PANEL LEFT SIDE GREY	M0006106-006	ALL	*	*	*	*	\$62.59
67c	PLASTIC PANEL LEFT SIDE BLACK	M0006106-008	ALL	*	*	*	*	\$62.59
68	LEFT SIDE PANEL WITH LOUVERS AND MAIN SWITCH+PRESSURE SWITCH	M0006135-001	ALL	ST_A	ST_A	ST_A	*	\$72.54
69	MAIN SWITCH	I82L2206165	ALL	*	*	*	*	\$19.16
70	DRAIN SILICON TUBE f 8X11MM	TSC8X11	ALL	*	*	*	*	\$8.90
71	DRAIN PLASTIC CONNECTION	B06.031C	ALL	*	*	*	*	\$7.87
72	COMPRESSOR WARNING LIGHT 115V	A0005105-001	ALL	*	*	*	*	\$11.91
73a	TRADITIONAL ELECTRONIC BOARD	M0005127-001	ALL	ST_ALL	ST_ALL	ST_ALL	*	\$383.23
73b	MILLENNIUM ELECTRONIC BOARD	M0005148-001	ALL	ML_ALL	ML_ALL	ML_ALL	*	\$367.57
74a	TRADITIONAL ELECTRICAL WIRING FC1	M0105101-001	ALL	ST_ALL			*	\$53.38
74b	TRADITIONAL ELECTRICAL WIRING FC2	M0205101-001	ALL		ST_ALL		*	\$69.80
74c	TRADITIONAL ELECTRICAL WIRING FC3	M0305101-001	ALL			ST_ALL	*	\$88.97
74d	MILLENNIUM ELECTRICAL WIRING FC1	M0105103-001	ALL	ML_ALL			*	\$49.94
74e	MILLENNIUM ELECTRICAL WIRING FC2	M0205103-001	ALL		ML_ALL		*	\$86.18
74f	MILLENNIUM ELECTRICAL WIRING FC3	M0305103-001	ALL			ML_ALL	*	\$120.42
75	SCREW 2.9X9.5	M0005135-001	ALL	*	*	*	*	\$0.82
76	STAINLESS STEEL FRONT PANEL	M0006111-002	ALL	*	*	*	*	\$50.64
77a	GREEN DRIP TRAY	M0006110-001	ALL	*	*	*	*	\$31.48
77b	GRAY DRIP TRAY	M0006110-003	ALL	*	*	*	*	\$31.48
77c	BLACK DRIP TRAY	M0006110-004	ALL	*	*	*	*	\$31.48
78	PLASTIC BLACK DRIP TRAY	M0006117-001	ALL	*	*	*	*	\$25.46
80a	RELAY NE2125GK 115V/60Hz	CL12283001	R404A	*			*	\$62.96
80b	RELAY T2168GK 115V/60Hz	CL12302005	R404A		*	*	*	\$78.70
81a	START CAPACITOR T2168GK 115V/60Hz	COND2252084	R404A		*	*	*	\$78.70
81b	START CAPACITOR NE2125GK 115V/60Hz	COND2252096	R404A	*			*	\$78.70
82a	THERMAL PROTECTOR T2168GK 115V/60Hz	TER2297003	R404A		*	*	*	\$47.22
82b	THERMAL PROTECTOR NE2125GK 115V/60Hz	TER2321004	R404A	*			*	\$47.22
83	POWER CORD 115 V U.L. FOR USA	CAVOAL.UL15ALAV	ALL	*	*	*	*	\$35.59
84	SUPPRESSOR FILTER	FFLC560501	ALL	*	*	*		\$43.80
85	CONNECTION FOR SUPPLYING WIRING	M0005112-001	ALL	*	*	*	*	\$17.79
86	TRANSFORMER 60VA 115-230/12Vac	A0005112-001	ALL	*	*	*	*	\$164.24
87a	COMPRESSOR T2168GK 115V/60HZ	C906DG2301AE	R404A		*	*	*	\$629.60
87b	COMPRESSOR NE2125GK 115V/60HZ	C971IG7166AE	R404A	*			*	\$787.00
88	FUSE 5A 5X20	F11584	ALL	*	*	*	*	\$1.37
89a	COIL WB 110/50-60	BOBWB8.0-110/60	ALL		*	*	*	\$42.43
89b	COIL 120/50-60 UL1100BH/G6IU-2	AA005102-001	ALL		*	*	*	\$42.43

2012 Elmeco First Class Parts Price List

89c	COIL ZB09 110V/50-60HZ	B304010GR110V	ALL	*				\$42.43
90	FUSE F315MA 5X20	A0005103-001	ALL	*	*	*	*	\$1.64
91a	FC1 BODY VALVE CEME	A0102101-001	ALL	*			*	\$42.43
91b	FC2 BODY VALVE 5934TE1,5S04DM	A0202101-001	ALL		*		*	\$118.81
91c	FC3 BODY VALVE 5935TE1,5S04DM	A0302101-001	ALL			*	*	\$144.27
92	DRYER	FA032SBMM2M3	ALL	*	*	*	*	\$53.38
93	FC PRESSURE SWITCH	A0002101-001	ALL	*	*	*	*	\$106.76
94	PRESSURE SWITCH WITH CUPPER TEE	A0002104-001	ALL	*	*	*	*	\$108.13
95	IRON CONDENSER STFT 16224	C082036007	ALL			A	A	\$216.25
95a	IRON CONDENSER STFT 18224/245	M0602103-001	ALL			TR	TR	\$187.02
95b	IRON CONDENSER STFT 14T 1R 145A" OLD CONFIGURATION FC1	M0102109-001	ALL	*			*	\$171.09
95c	IRON CONDENSER STFT 14T 2R 145A" OLD CONFIGURATION FC1	M0102111-001	ALL	*			*	\$123.60
96a	ALUMINUM FAN BLADE 172/34°	M0102110-001	ALL	*			*	\$7.87
96b	ALUMINUM FAN BLADE 254/31°	V4012016M3/2	ALL			TR	A & TR	\$9.88
96c	ALUMINUM FAN BLADE 200/34°	V4012201M3WBM	ALL			W	W	\$4.80
96d	ALUMINUM FAN BLADE 254/25°	V4012255	ALL			A		\$9.58
97	TIMER SUPPORT	G0005102-001	ALL	*	*	*	*	\$27.37
98	TIMER 110V/50-60HZ	T027600231	ALL	*	*	*	*	\$212.15
99a	FAN MOTOR 82UL-2009/32 115V/60HZ	A5005101-001	ALL	*	W	W	*	\$110.28
99b	FAN MOTOR 82UL-3016/29 115V/60HZ	A5605102-001	ALL		*	*	*	\$120.44
100	DRIP TRAY BRACKET	M0001104-001	ALL	*	*	*	*	\$24.64
101	SMALL RUBBER FEET	PAR114-ELGR	ALL	*	*	*	*	\$6.16
102	U.S.A. FEET	A5601101-001	ALL		*	*	*	\$35.59
103a	M6 NUT	DADOD.6ZFLL	ALL	*			*	\$0.82
103b	M8 NUT	DADOD.8ZFLL	ALL		*	*	*	\$0.82
104a	SCREW 6X12	VTTE6X12Z	ALL	*			*	\$0.82
104b	SCREW 8X16	VTTE8X16Z	ALL		*	*	*	\$0.82
105	BOARD BOX	M0005134-001	ALL	*	*	*	*	\$10.95
107	OUTLET RESTRICTION	M0003130-001	ALL	*	*	*	*	\$18.55
109	WASHER FOR GEAR MOTOR'S SCREW D.6,3	M0000144-001	ALL	*	*	*	*	\$0.68
110	PRESSURE SWITCH CONNECTION WIRES	A0005110-001	ALL	*	*	*	*	\$2.55
111	CONNECTION WIRES COVERING BAG	M0000124-001	ALL	*	*	*	*	\$0.49
112	ELECTRICAL KIT OF CONDENSERS FOR POWER FACTOR IMPROVEMENT	M0005142-001	ALL			*	*	\$2.94
113	CONDENSER FOR POWER FACTOR IMPROVEMENT	M0005141-001	ALL			*	*	\$28.92
114a	NEGATIVE TEMPERATURE CONTROL TRIMMER	M0005144-001	ALL	*	*	*	*	\$88.22
114b	POSITIVE TEMPERATURE CONTROL TRIMMER	M0005143-001	ALL	*	*	*	*	\$58.81
115	MAXIMUM LEVEL STICKERS	A0006103-001	ALL	*	*	*	*	\$0.78
116	SCREW 2.2X9.5	VTTC2.2X9.5CR	ALL	*	*	*	*	\$0.83
117	FC1 NEW CONFIGURATION CAPILLARY 0,91MX2,75MT	A0002105-001	ALL	*			*	\$4.41
118	POWER CORD SCREW TERMINAL BOARD	M0005151-001	ALL		*	*	*	\$11.03
120	POWER RELAY 120V 668281100300	AA005101-001	ALL	*			*	\$29.70

2012 Elmeco First Class Parts Price List

150	C\BODY PIPE NUT 1/4 COD. PDFG220000	A0000107-001	ALL		ST_REF	ST_REF	*	\$3.18
152	GUM KEEPING JUNCTION	A0000103-001	ALL		ST_REF	ST_REF	*	\$39.75
153	1/4 C\BODY PIPE WITH VALVE COD. 9C050713P1	A0000102-001	ALL		ST_REF	ST_REF	*	\$26.50
154	PIPE 6X12 FOR REFILL COD. 797344	A0000101-001	ALL		ST_REF	ST_REF	*	\$9.43
155	COIL 115V	A5000103-001	ALL		ST_REF	ST_REF	*	\$27.38
156	CLIP PFAS13/15	A0000104-001	ALL		ST_REF	ST_REF	*	\$45.79
157	REFILL VALVE 21L1K1V25 120/60 12W UL	A5000102-001	ALL		ST_REF	ST_REF	*	\$208.29
158	90° PLASTIC ELBOW FOR SOLENOID VALVE	A0000106-001	ALL		ST_REF	ST_REF	*	\$18.02
159	4X8 PLATED SCREW	A0001101-001	ALL		ST_REF	ST_REF	*	\$0.27
160	REFILL KIT FOR FIRST CLASS - MACH	M0005130-001	ALL		ST_REF	ST_REF	*	\$182.86
161	NOTCHED WASHER 5.3 E	ROND.D.5.3EDENT	ALL		ST_REF	ST_REF	*	\$0.80
163a	FC2 REFILL TRADITIONAL ELECTRICAL WIRING	M0205102-001	ALL		ST_REF		*	\$19.19
163b	FC3 REFILL TRADITIONAL ELECTRICAL WIRING	M0305102-001	ALL			ST_REF	*	\$19.19
164	MOLEX CONNECTOR FOR MAIN SWITCH	A0005106-001	ALL	*	*	*	*	\$0.66
200a	KIT COPPER PIPE D.6MM AIR CONDENSER-TEE-FILTER FC1	M0102118-001	ALL	*			*	\$16.97
200b	KIT COPPER PIPE D.6MM AIR CONDENSER-TEE-FILTER FC2/3	M0602112-001	ALL		*	*	*	\$16.97
201a	COPPER PIPE D.6MM TEE - PRESSOSTAT	M0602105-001	ALL		W	W	*	\$6.96
201b	COPPER PIPE D.6MM TEE - PRESSOSTAT	M0102114-001	ALL	*			*	\$6.08
202	KIT COPPER PIPE D.6MM WATER CONDENSER-TEE-FILTER FC2W/3W	M0602114-001	ALL		W	W	*	\$16.97
203	WATER CONDENSER	CB5X8M2/3W	ALL		W	W	*	\$365.97
204	PRESSURE SWITCH VALVE COPPER PIPE D.8 -AIR CONDENSER	M0602107-001	ALL		W	W	*	\$7.84
205	PRESSURE SWITCH VALVE WVFX1025	A0602102-001	ALL		W	W	*	\$379.82
206	PRESSURE SWITCH VALVE SUPPORT	A0600101-001	ALL		W	W	*	\$6.86
207	BRASS NIPLES 1/4" D.8MM	NIPLES+RACCOR	ALL		ST_W	ST_W	*	\$10.10
208	BRASS ADAPTER 3/8"-1/4"	M0602111-001	ALL		ST_W	ST_W	*	\$4.90
209	WATER OUTPUT COPPER PIPE D.8MM	M0602108-001	ALL		ST_W	ST_W	*	\$16.66
210	WATER INPUT COPPER PIPE D.8MM	M0602106-001	ALL		ST_W	ST_W	*	\$8.58
211	SHAFT FASTENING SCREW - PRESSURE SWITCH VALVE	VTTC5X16CRIN	ALL		ST_W	ST_W	*	\$0.83
212	CAPILLARY COPPER PIPE TEE - PRESSURE SWITCH VALVE	M0602110-001	ALL		ST_W	ST_W	*	\$9.80
213	KIT COPPER PIPE D.6MM COMPRESSOR-TEE-WATER CONDENSER FC2W/3W	M0602113-001	ALL		ST_W	ST_W	*	\$18.03
214	CHARGE VALVE +COPPER PIPE D.6MM 16,5CM FC1	A0002111-001	ALL	*			*	\$6.36
252a	COMPRESSOR COPPER PIPE D.6MM - AIR CONDENSER	M0102103-001	ALL	*			*	\$4.78
252b	COMPRESSOR COPPER PIPE D.6MM - AIR CONDENSER	M0202102-001	ALL		*	*	*	\$8.70
253	BOYLER COPPER PIPE D.6MM - COMPRESSOR	M0102107-001	ALL	*			*	\$8.53
300	IRON CONDENSER 2	C04060400100	ALL			*		\$214.86
301	CONDENSER 1 COPPER PIPE D.6MM - CONDENSER 2	M0302105-001	ALL			*		\$6.18
350	MACHINE MODULE SHAFT	M0000150-001	ALL	ML_ALL	ML_ALL	ML_ALL	*	\$29.41
351	"MACHINE MODULE" MILLENIUM ELECTRONIC KIT	M0005149-001	ALL	ML_ALL	ML_ALL	ML_ALL	*	\$490.09